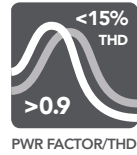
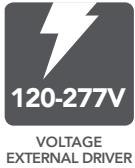
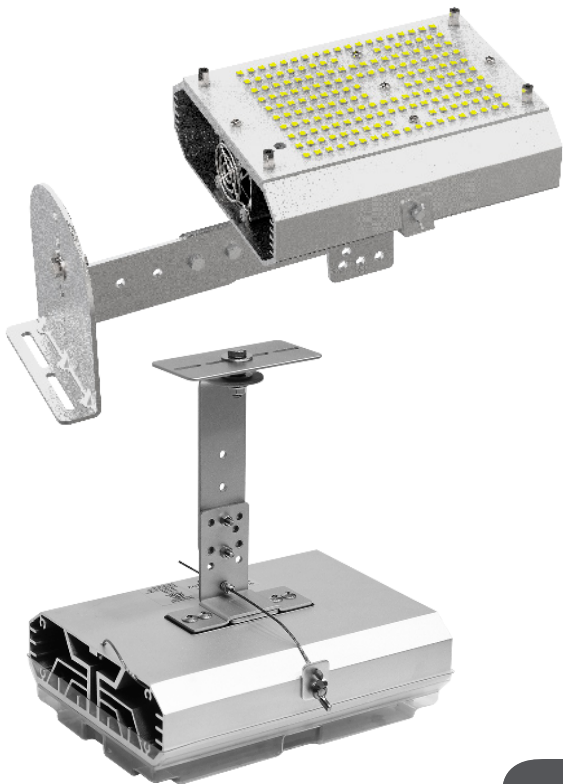


LEDBLOCK G3 HARD-WIRED HID RETROFIT KIT



extremely flexible hard-wired retrofit kit for HID fixtures



- Up to 270W to replace 1000W HID
- Patented extruded aluminum design that replaces HID, HPS, or MH lamps
- Advanced cooling and circuit design to prevent from overheating
- Perfect for wall pack, flood light, shoe box, canopy and circular high bay fixtures
- Newly designed mounting bracket allows for quick & virtually unlimited mounting options
- Now with 0-10V dimmable driver for even more versatile applications

PART #	REPLACES	W	CCT	LUMENS
RPT-LEDBLOCK-65L-750-10VDIM-G3	UP TO 150W	30	5000K	5100
RPT-LEDBLOCK-100L-750-10VDIM-G3	UP TO 175W	52	5000K	8850
RPT-LEDBLOCK-150L-750-10VDIM-G3	UP TO 250W	97	5000K	15700
RPT-LEDBLOCK-200L-750-10VDIM-G3	UP TO 400W	124	5000K	20000
RPT-LEDBLOCK-300L-750-10VDIM-G3	UP TO 600W	150	5000K	24000
RPT-LEDBLOCK-400L-750-10VDIM-G3	UP TO 1000W	270	5000K	43000



*See page 2 for additional styles, lumen packages, color temperatures and options.

RemPhos by Light Efficient Design
lighting on target

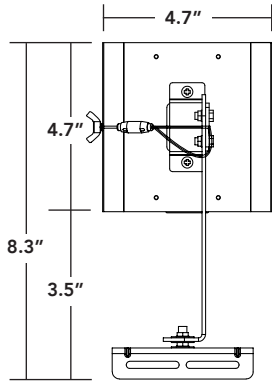
FOR PRODUCT INFO ("LED" MODEL #) CONTACT.....Light Efficient Design • 188 S. Northwest Highway • Cary, IL 60013 • 847.380.3540 • led-llc.com
FOR PRODUCT INFO ("RP" MODEL #) CONTACT.....RemPhos by Light Efficient Design • 30 Log Bridge Road, Building 200 • Middleton, MA 01949 • 877.997.3674 • remphos.com

04.XX.18 Information is subject to change without notice.

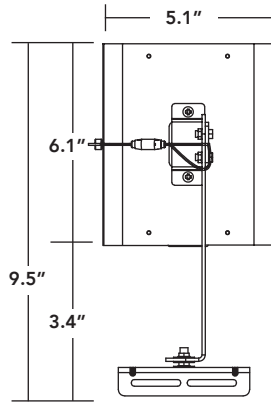
LEDBLOCK G3 HIGH POWER LED RETROFIT MODULE



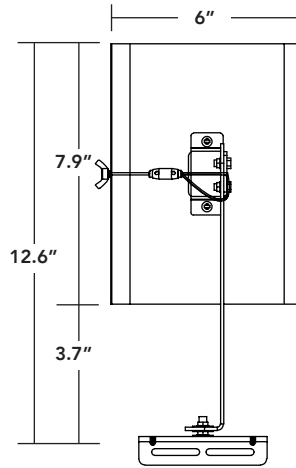
RPT-LEDBLOCK-65L/ RPT-LEDBLOCK-100L



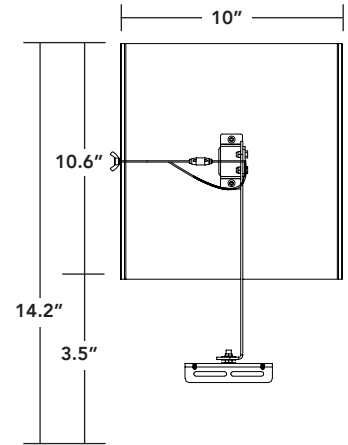
RPT-LEDBLOCK-150L/ RPT-LEDBLOCK-200L



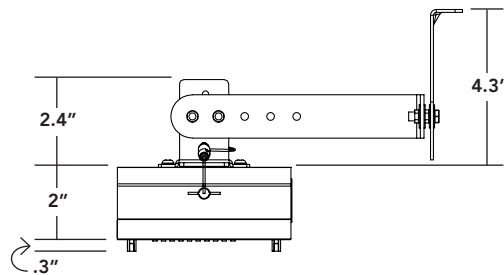
RPT-LEDBLOCK-300L



RPT-LEDBLOCK-400L



MOUNTING BRACKET



ORDERING GUIDE

PART #	UPC	REPLACES	WATTAGE	LUMENS	CCT (K)	DIMENSIONS	DLC PRODUCT CODE
RPT-LEDBLOCK-65L-750-10VDIM-G3	844006082956	UP TO 150W	30W	5100	5000K	4.7" X 4.7"	PE2MT4BH
RPT-LEDBLOCK-100L-750-10VDIM-G3	844006082963	UP TO 175W	52W	8850	5000K	4.7" X 4.7"	PTSZXEK8
RPT-LEDBLOCK-150L-750-10VDIM-G3	844006082970	UP TO 250W	97W	15700	5000K	5.1" X 6.1"	PX8R1R29
RPT-LEDBLOCK-200L-750-10VDIM-G3	844006080495	UP TO 400W	124W	20000	5000K	5.1" X 6.1"	PTCFWT9T
RPT-LEDBLOCK-300L-750-10VDIM-G3	844006080648	UP TO 600W	150W	24000	5000K	7.9" X 5.9"	PSRAD88V
RPT-LEDBLOCK-400L-750-10VDIM-G3	844006080488	UP TO 1000W	270W	43000	5000K	10.6" X 10"	PGS2ACU2

RemPhos by Light Efficient Design
lighting on target

FOR PRODUCT INFO ("LED" MODEL #) CONTACT.....Light Efficient Design • 188 S. Northwest Highway • Cary, IL 60013 • 847.380.3540 • led-llc.com
FOR PRODUCT INFO ("RP" MODEL #) CONTACT.....RemPhos by Light Efficient Design • 30 Log Bridge Road, Building 200 • Middleton, MA 01949 • 877.997.3674 • remphos.com

04.XX.18 Information is subject to change without notice.

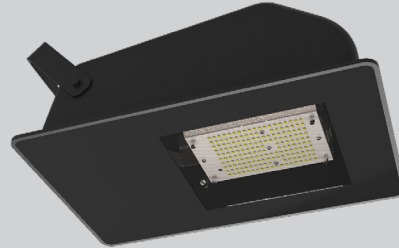
LEDBLOCK G3 HIGH POWER LED RETROFIT MODULE



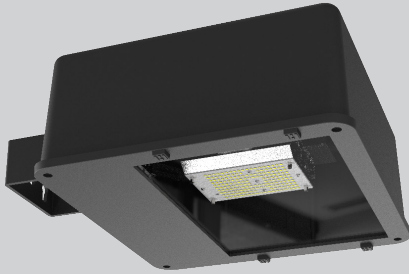
EASILY RETROFIT THESE FIXTURE STYLES, AND MORE!



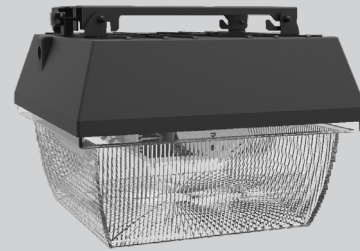
WALL PACK



FLOOD LIGHT



SHOE BOX



CANOPY

RemPhos by **Light Efficient Design**
lighting on target

FOR PRODUCT INFO ("LED" MODEL #) CONTACT.....Light Efficient Design • 188 S. Northwest Highway • Cary, IL 60013 • 847.380.3540 • led-llc.com
FOR PRODUCT INFO ("RP" MODEL #) CONTACT.....RemPhos by Light Efficient Design • 30 Log Bridge Road, Building 200 • Middleton, MA 01949 • 877.997.3674 • remphos.com

04.XX.18 Information is subject to change without notice.